

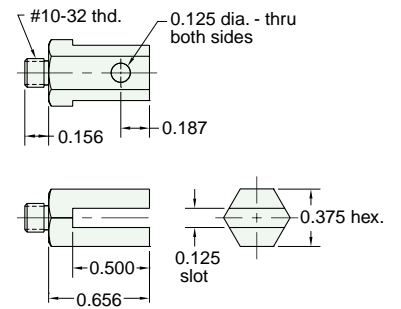
9/16" BORE MOUNTING BRACKETS



11996

Male Clevis

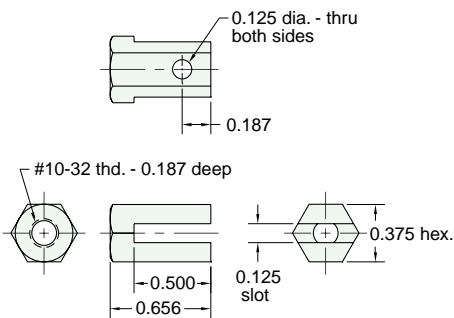
Mounts in rear of cylinder tapped #10-32



15009

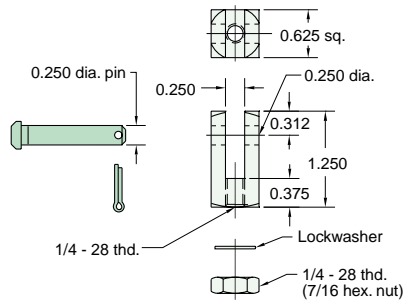
Female Clevis

For use with cylinders having #10-32 threaded shaft



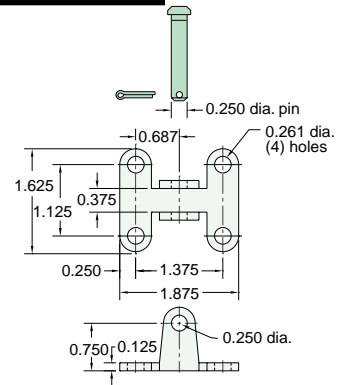
15015

Rod Clevis Assembly



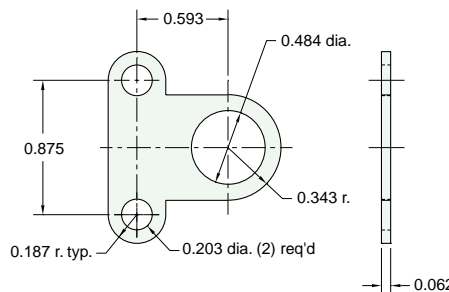
15019

Clevis Mounting Bracket



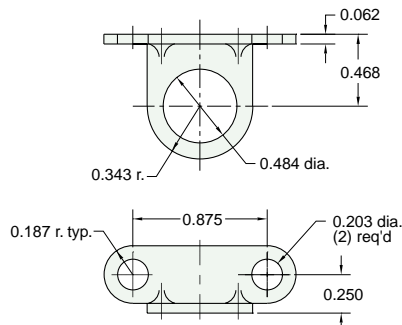
11917-1

Mounting Bracket (flat)



11918-1

Mounting Bracket (angled)



15018-2

Mounting Bracket (angled)

